

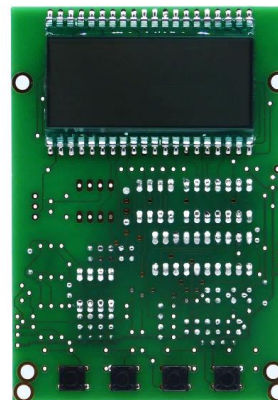


AS020-XB2C Portable Load-Cell Indicator

The AS020-XB2C is a portable battery powered 4.5 digit load-cell indicator, providing automatic Zero and Span calibration as well as programmable linearity adjustment. Additional standard features include selectable Units button, Tare (Zero) button, Peak-hold button, load-cell overload indication, low-battery status, read-out of calibration in mV/V and programmable display resolution. The inputs provide EMI-/RF-suppression. Transducer and battery wires can be easily connected by soldering or using SIL sockets (supplied). Optional features include RS232 output, pre-drilled hand-held enclosure (IP65), protective rubber case, customer-specific enclosure foil and industrial standard sensor input socket.

Features

- Battery supply 9V (1x PP3)
- 5V stabilised bridge excitation
- Bridge resistance 350 Ohm (or greater)
- Bridge sensitivity 0.2mV/V – 2.5mV/V
- Board Size (LxBxH) 68 x 96 x 11mm
- Dual Units
- Auto shut-off
- Optional RS232 output
- Optional Hand-Held Enclosure
- Optional Enclosure Overlays



Applications

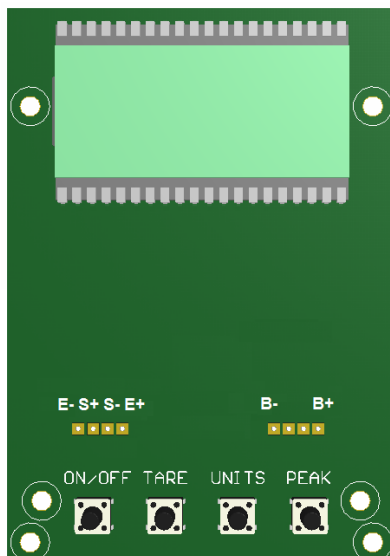
- Industrial Weighing
- Load Testing & Monitoring

Ordering

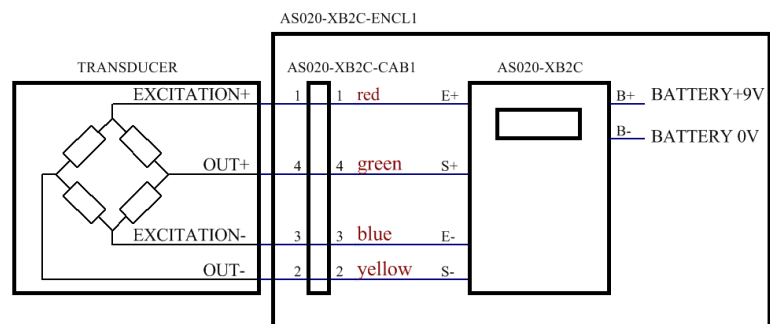
Part number: **AS020-XB2C***

*Customer specific electrical / mechanical changes are possible – please contact us with your individual requirements.

Board Connections



Schematic Diagram



Specifications

Parameter	Min	Typical	Max	Unit
Battery power supply (PP3)		9		V
Bridge sensitivity	0.2		2.5	mV/V
Bridge excitation voltage		5		V
Bridge resistance	350			Ohms
Linearity		0.01		% FS
Temperature Coefficient – Zero		0.2		uV/°C
Temperature Coefficient – Span		30		ppm/°C
Maximum display counts		19999		
Units	kg,lb, kN,tonne			
Low Battery Voltage Status (“Lobt”)		< 6		V
Load-Cell Overload Status (“HELP”)		102		% FS
LCD Digit Height		10.16		mm
Auto-Shut Off		20		minutes
Operating Temperature	-20		70	°C

Optional Extras

Part number: AS020-XB2C-ENCL1	IP65 ABS Enclosure
--------------------------------------	---------------------------

with display-, push switch cut-outs, incl. 9V PP3 battery contacts & display screen.



Part number: AS020-XB2C-CAB1	Industrial Sensor Connector (4-pin)
-------------------------------------	--

incl. soldered wires and SIL plug (Connector - Binder Part no.: 09-3431-77-04)





www.aieng.co.uk

Part number:	AS020-XB2C-FOIL	Standard and Customer-specific overlays
--------------	-----------------	---



Part number:	AS020-XB2C-CASE	Protective Cases available in two colours
--------------	-----------------	---



Example:	How to calibrate the AS020 using our AS600-series calibrator
----------	--

