



---

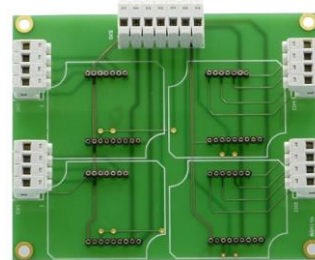
## Multi-Channel Motherboard ASM1-4 4x AS7539A Amplifiers

---

The ASM1-4 is a motherboard designed to integrate up to four AS7539A amplifier boards (configured for current-output) allowing multiple transducer processing. Transducer wires can be easily clamped onto the board. Optional features include a rugged aluminium enclosure offering IP66 protection.

### Features

- Common power supply rail
- Individual current outputs
- Accommodates 4 AS7539A amplifiers
- Size 127 x 103.5 x 24 mm (LxBxH)
- Optional aluminium enclosure (IP 66)



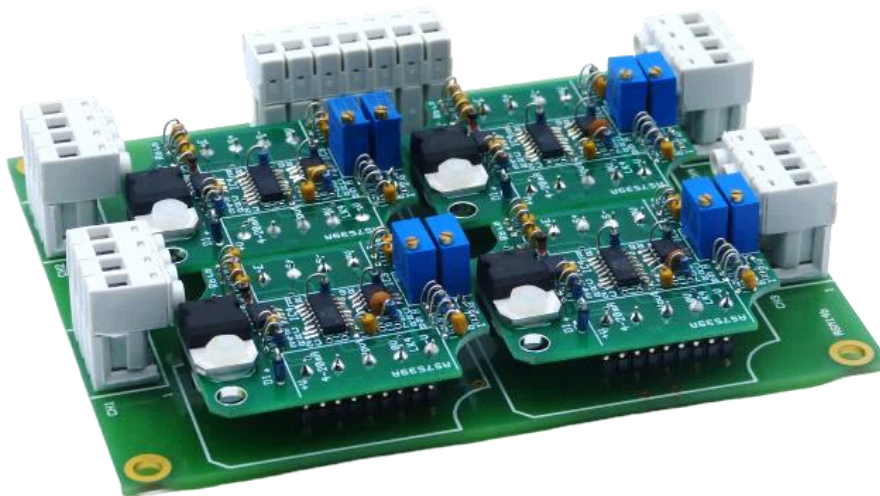
### Applications

- Multiple transducer processing

### Ordering

<b>Part number:</b>	<b>ASM1-4</b>
Customer specific electrical / mechanical changes are possible – please contact us with your individual requirements.	

### Example Populated Board

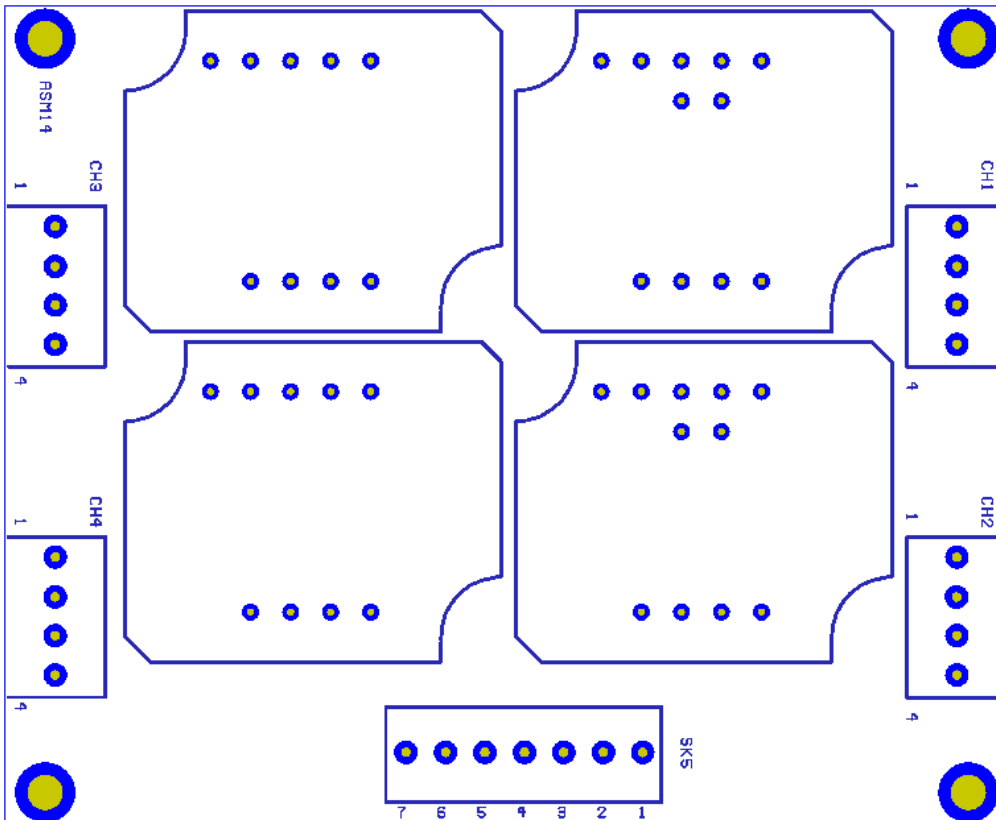




**Installation:**

Function	Connector	Description
Power Supply Input	SK5	Pin-1 +VCC Pin-2 GND Pin-3 -VCC (optional)
Load-cell / Strain-gauge transducers	CH1 – CH4	Pin-1 sensor “+” excitation voltage Pin-2 sensor “+” output Pin-3 sensor “-” output Pin-4 sensor “-” excitation voltage
Current Outputs	SK5	Pin-4 = amplifier CH1, Pin-5 = amplifier CH2, etc.

All connectors accept solid or stranded wire, size 24 - 12 AWG (0.2 – 3.31 mm<sup>2</sup>). For optimal results, a ferrule is typically used with stranded wire.





[www.aieng.co.uk](http://www.aieng.co.uk)

<b>Part number:</b>	<b>ASM1-4 +ENCL2</b>	<b>Aluminium IP66 Enclosure for ASM1-4 incl. cable glands (4x PG7, 1x PG12)</b>
---------------------	----------------------	---

